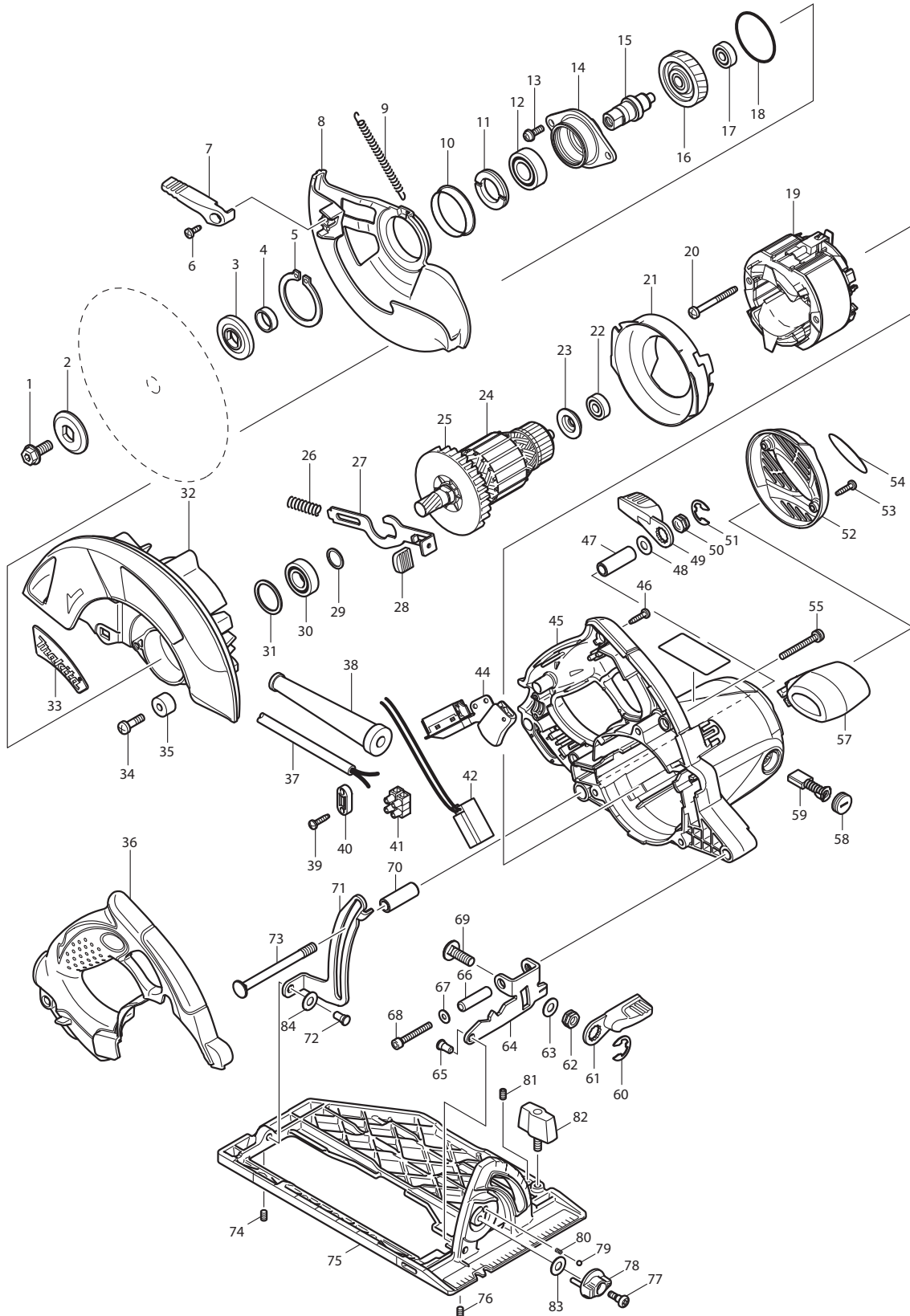




11-2009
5007MG
7-1/4" CIRCULAR SAW, AC



Item No	Type	Ref	Part No	Description	Qty	Unit
1			266283-4	HEX. SOCKET HEX. BOLT M8X20	1	PC.
2	1		224403-6	* OUTER FLANGE 40 - N/L/A	1	PC.
	2		224409-4	* OUTER FLANGE 35	1	PC.
3	1		224151-7	* INNER FLANGE 40	1	PC.
	2		224411-7	* INNER FLANGE 35	1	PC.
4			257279-6	RING 17	1	PC.
5			961201-4	RETAINING RING S-42	1	PC.
6			266398-7	TAPPING SCREW BIND CT 4X12	1	PC.
7			272252-5	LEVER 65	1	PC.
8	2		318963-9	SAFETY COVER	1	PC.
9			231839-2	TENSION SPRING 4	1	PC.
10			345422-0	SPACER	1	PC.
11			285848-3	BEARING RETAINER 23-36	1	PC.
12	1		211275-8	BALL BEARING 6003DDW	1	PC.
	2		210301-0	BALL BEARING 6003DDW	1	PC.
13			911223-4	PAN HEAD SCREW M5X16	2	PC.
14			318056-2	BEARING BOX	1	PC.
15			324690-8	SPINDLE	1	PC.
16			226630-1	HELICAL GEAR 47	1	PC.
17	1		211033-2	BALL BEARING 608LB	1	PC.
	2		211031-6	BALL BEARING 608LLB	1	PC.
18			213623-7	O RING 46	1	PC.
19			596286-7	FIELD ASS'Y 115V	1	PC.
		INC.	654020-2	RING TERMINAL	2	PC.
		INC.	654502-4	CONNECTOR P-2	2	PC.
20			266397-9	TAPPING SCREW BIND 5X50	2	PC.
21			419548-5	BAFFLE PLATE	1	PC.
22	1		211033-2	BALL BEARING 608LB	1	PC.
	2		211031-6	BALL BEARING 608LLB	1	PC.
23			681625-5	INSULATION WASHER	1	PC.
24			516976-6	ARMATURE ASS'Y 115V	1	PC.
		INC.		Item No. 22,23,25,29,30		
25			240003-4	FAN 80	1	PC.
26			231297-2	COMPRESSION SPRING 9	1	PC.
27			345717-1	SHAFT LOCK	1	PC.
28			286275-7	CAP	1	PC.
29			267280-3	FLAT WASHER 15	1	PC.
30			211236-8	BALL BEARING 6002DDW	1	PC.
31			261132-0	URETHANE WASHER 26	1	PC.
32			188176-4	BLADE CASE SET	1	PC.
		INC.	263002-9	RUBBER PIN 4	2	PC.
		INC.	816845-4	SCALE PLATE	1	PC.
		INC.		Item No.33		
33			819234-2	MAKITA LOGO PLATE	1	PC.
34			251247-1	+ PAN HEAD SCREW M6X20	1	PC.
35			262552-1	RUBBER SLEEVE 6	1	PC.
36			419553-2	HANDLE COVER	1	PC.
37			551187-6	CORD W/PLUG, GUARD 2P-14-2.6M, SJ	1	PC.
		INC.		Item No. 38		
38			682564-2	CORD GUARD	1	PC.
39			266326-2	TAPPING SCREW 4X18	2	PC.
40			687124-5	STRAIN RELIEF	1	PC.
41			654531-7	TERMINAL BLOCK 2P	1	PC.
42			631709-9	LIGHT CIRCUIT	1	PC.
44			651189-3	SWITCH TG933TN-2	1	PC.
45			158099-0	MOTOR HOUSING COMPLETE	1	PC.
		INC.	643653-8	BRUSH HOLDER 6.5-13.5	2	PC.
46			266326-2	TAPPING SCREW 4X18	5	PC.

Item No	Type	Ref	Part No	Description	Qty	Unit
47			331719-3	PIPE 9	1	PC.
48			941201-0	FLAT WASHER 8	1	PC.
49			272253-3	LEVER 56	1	PC.
50			252199-9	HEX. NUT M8-13	1	PC.
51			257953-6	BOW STOP RING E-12	1	PC.
52	1		188178-0	* REAR COVER SET - N/L/A	1	PC.
		INC.		Item No. 54		
	2		188448-7	* REAR COVER SET	1	PC.
		INC.		Item No. 54		
53			266326-2	TAPPING SCREW 4X18	2	PC.
54			819237-6	MAKITA LOGO LABEL	1	PC.
55			911268-2	PAN HEAD SCREW M5X45	3	PC.
57			419550-8	FRONT GRIP	1	PC.
58			643650-4	BRUSH HOLDER CAP 6.5-13.5	2	PC.
59	1		181047-4	CARBON BRUSH CB-154 2PC/SET (W/O ORIGIN)	1	SET
	2		194986-9	CARBON BRUSH CB-154 2PC/SET (W/ ORIGIN)	1	SET
60			257953-6	BOW STOP RING E-12	1	PC.
61			272253-3	LEVER 56	1	PC.
62			252199-9	HEX. NUT M8-13	1	PC.
63			941201-0	FLAT WASHER 8	1	PC.
64			345718-9	ANGULAR GUIDE	1	PC.
65	1		256480-0	SHOULDER PIN 6-7	1	PC.
	2		256511-5	SHOULDER PIN 6-7	1	PC.
66			257759-2	SLEEVE 6	1	PC.
67			941101-4	FLAT WASHER 5	1	PC.
68			922261-1	HEX. SOCKET HEAD BOLT M5X40	1	PC.
69			266396-1	FLAT HEADSQUARE NECKBOLT M8X24	1	PC.
70			331719-3	PIPE 9	1	PC.
71			345719-7	DEPTH GUIDE	1	PC.
72	1		256480-0	SHOULDER PIN 6-7	1	PC.
	2		256511-5	SHOULDER PIN 6-7 (Grove is added)	1	PC.
73			266237-1	CAP SQUARE NECK BOLT M8X90	1	PC.
74			266229-0	H.S.SET SCREW(CUP POINT)M5X8	1	PC.
75			158101-9	BASE COMPLETE	1	PC.
		INC.	816846-2	SCALE PLATE	1	PC.
76			266229-0	H.S.SET SCREW(CUP POINT)M5X8	1	PC.
77			251370-2	+ PAN HEAD SCREW G5	1	PC.
78			419549-3	DIAL 27	1	PC.
79			216008-6	STEEL BALL 4	1	PC.
80			233314-4	COMPRESSION SPRING 4	1	PC.
81			266229-0	H.S.SET SCREW(CUP POINT)M5X8	1	PC.
82			251858-2	SCREW M6X15	1	PC.
83			253811-4	FLAT WASHER 5 (added)	1	PC.
84			253186-1	* FLAT WASHER 7	1	PC.
85			450351-5	* SPACER	2	PC.

ACCESSORIES

- See catalogue or visit www.makita.ca for optional accessory -

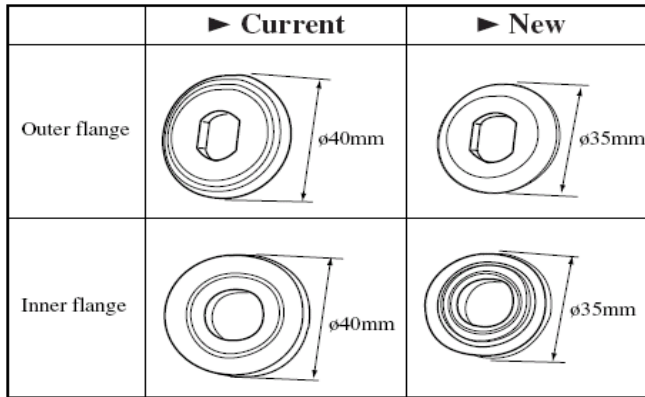
A01			164095-8	GUIDE RULE	1	PC.
A02			783204-6	HEX. WRENCH 6	1	PC.
A03	2		A-94530-10	7-1/4" FRAMING BLADE 24T, BLACK, 10/PK	1	PC.
	Opt.		A-94839-10	7-1/4" FRAMING BLADE 24T, 10/PK	1	PC.
A04	1		824772-1	PLASTIC CARRYING CASE	1	PC.
		INC.	163455-1	LATCH	2	PC.
		INC.	419360-3	HANDLE	1	PC.
	2		158279-8	PLASTIC CARRYING CASE COM. (W/SPONGE)	1	PC.
		INC.	163455-1	LATCH	2	PC.
		INC.	419360-3	HANDLE	1	PC.

SERVICE CHANGES

1. Changes on Outer & Inner Flange

Item No.	Description	Type 1	Type 2
2	Outer Flange	224403-6	224409-4
3	Inner Flange	224151-7	224411-7

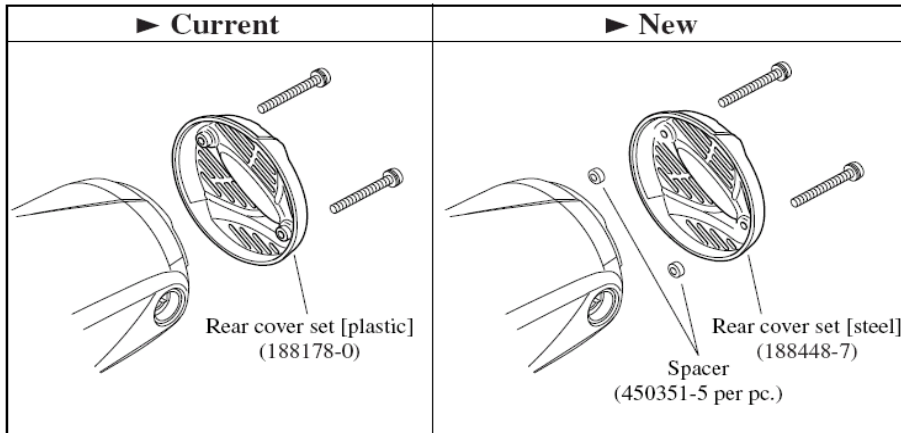
Above parts are completely interchangeable as a set.



2. Changes on Rear Cover Set

Item No.	Description	Type 1	Type 2
52	Rear Cover Set	188178-0	188448-7
85	Spacer	-----	450351-5

Above parts are completely interchangeable as a set.



3. Changes on Flat Washer 7

Item No.	Description	Type 1	Type 2	Type 3
84	Flat Washer 7	-----	253186-1	-----

